

LIVING DISTRICT

Collection: Maine

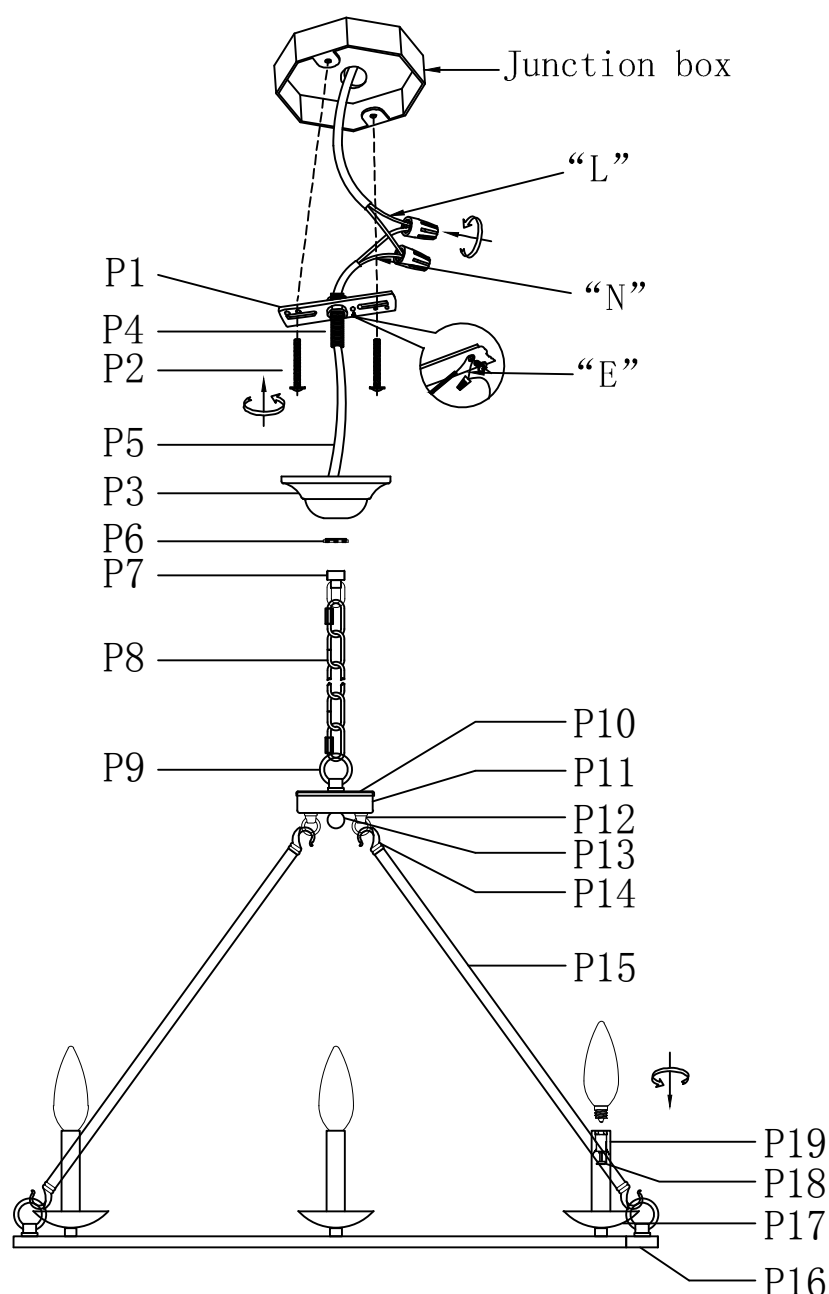
Installation manual for:

LD6010D36 D36"H24" L6

Installation instructions:

1. Black wire from ceiling(junction box) attaches to "L" wire from the fixture.
2. White wire from ceiling(junction box) attaches to "N" wire from the fixture.
3. "E" wire from the fixture is attached to the mounting bracket and an additional "E" wire from the mounting bracket must be secured to the junction box.
4. Secure mounting bracket to the junction box.
5. Insert screws (P2) in side of top unit the mounting bracket.
6. Connect the metal wire box(P11), rod(P15) and lamp body ring(P16) together.
7. Hang the lamp body to the chain(P8) and connect the canopy lock(P7).
8. Put the canopy(P3) on the nipple(P4) and connect the canopy lock(P7), then use the canopy ring(P6) to screw tighten.
9. Install E12 light source, no include bulb.

The end!



"L" = Hot wire
 "N" = Neutral wire
 "E" = Ground wire

PARTS LIST

| part | picture | Description | Qty | Check list |
|------|---------|---|-----|------------|
| P1 | | L4" Mounting bracket | 1 | |
| P2 | | 5/32-32 Screw | 2 | |
| P3 | | D5.1" Canopy plat | 1 | |
| P4 | | Nipple | 1 | |
| P5 | | Power Cord 10.2', 18AWG, SPT-1 Clear/Gold/Black | 1 | |
| P6 | | Canopy ring | 1 | |
| P7 | | Canopy lock | 1 | |
| P8 | | L5' CHAIN04P Plain Design | 1 | |
| P9 | | D1.5" Loop | 4 | |
| P10 | | D4.85" Wire Box | 1 | |
| P11 | | D4.75" Metal Wire Box | 1 | |
| P12 | | Loop | 3 | |
| P13 | | Cap nut | 1 | |
| P14 | | Hook | 6 | |
| P15 | | L20.5" Rod | 3 | |
| P16 | | D34" Lamp body ring | 1 | |
| P17 | | D3.54" Lamp holder | 6 | |
| P18 | | E12 Socket | 6 | |
| P19 | | D0.87"*L4.53" Candle cover | 6 | |
| | | | | |
| | | | | |
| | | | | |
| | | | | |
| | | | | |